

» TB 89 145 mm DC | 622 089  
Blower Thru Flow Brushless

- » BLDC Blower / Electronically Commutated
- » Onboard drive control
- » Closed-Loop speed control
- » Aerodynamically optimized impeller and housing
- » Onboard calibration potentiometer
- » Robust aluminium housing and impeller



Data		1-Stage	1-Stage	2-Stage	2-Stage
Nominal voltage	VDC	24	48	24	48
Fan housing diameter	mm	145	145	145	145
Fan stages	n°	1	1	2	2
Max. airflow	m³/h	230	190	123	146
Max. pressure	kPa	8.4	6.5	16	13.1
Max. vacuum	kPa	8	6	15	12.4
Input power	W	600	600	600	600
Current @ 120V	A	-	-	-	-
Current @ 230V	A	-	-	-	-
Current	A	19	9	18	8
Max. speed	rpm	19000	16500	19000	16500
Weight	Kg	2.7	2.7	2.7	2.7
<b>Standard Features</b>					
Speed command input	VDC	0-10	0-10	0-10	0-10
Tach output	ppr	2	2	2	2

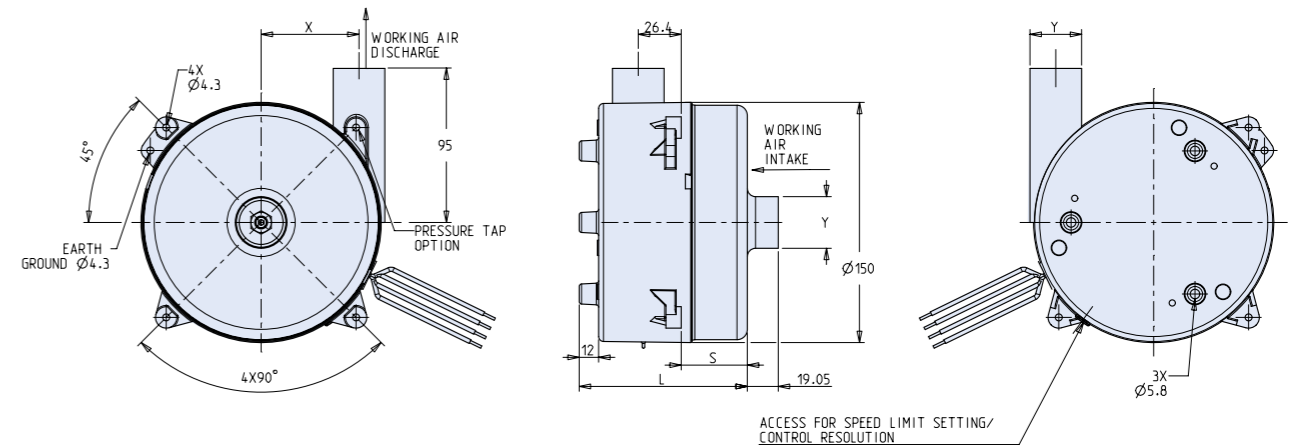
- Options
- A) Mechanical
- » Enhanced corrosion protection
  - » No inlet tube on working air
  - » Cooling air inlet tube
  - » Various mounting patterns

- B) Electrical / Software
- » No options available

» TB 89 145 mm DC | 622 089  
Blower Thru Flow Brushless



Dimensions in mm



Lead wires	
Colour	Function
Red ●	VDC
Black ●	Common
Orange ●	Speed command / 0-10VDC
Blue ●	Tach output

Blower	L	S	X	Y $\phi$
1-stage	84	20.6	53.8	44.5
2-Stage	104	40.6	60.2	44.5

Characteristic diagram

